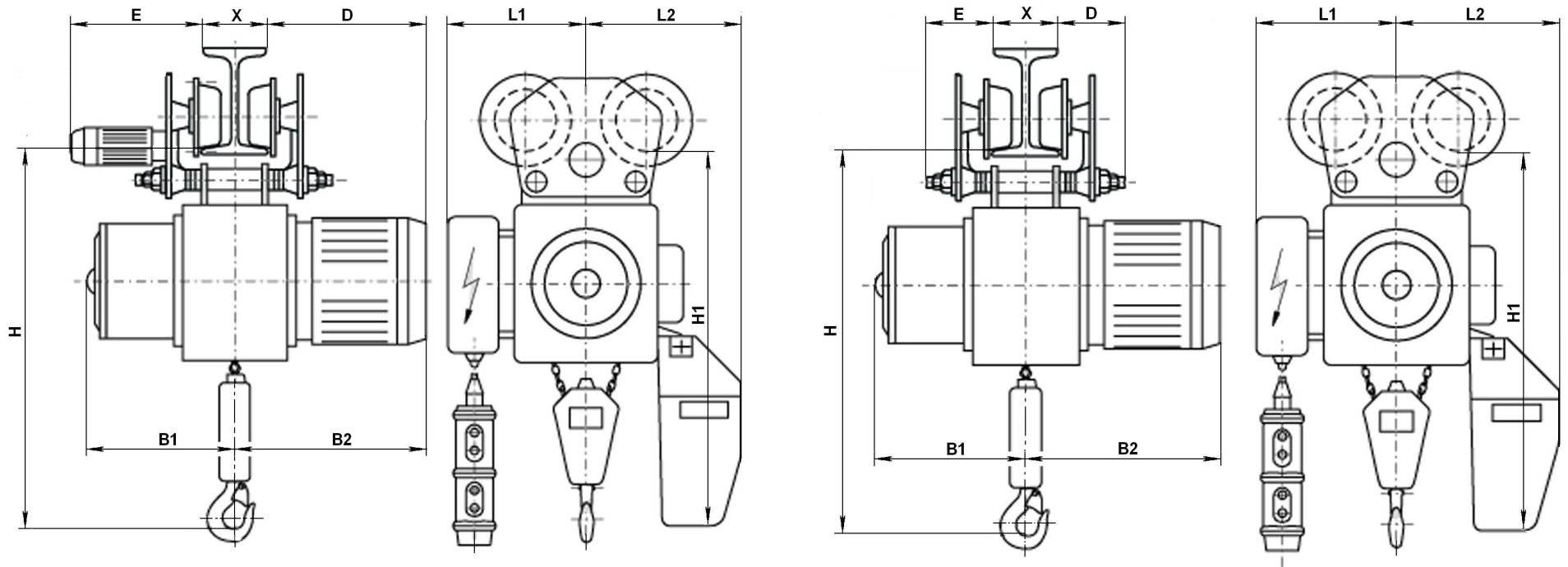


Electric Chain Hoist Model BY



Overall Dimensions (mm/inch)

MODEL	Rated Load	REEVING	H	H1	B1	B2	L1	L2	E	D
-	kg	-	mm	mm	mm	mm	mm	mm	mm	mm
BY064M	2000	2/1	890	820	265	360	270	250	90	90
BY104M	2000	2/1	890	820	265	360	270	250	290	90

MODEL	Rated Load	REEVING	H	H1	B1	B2	L1	L2	E	D
-	lb	-	inch	inch	inch	inch	inch	inch	inch	inch
BY064M	4400	2/1	35.04	32.28	10.43	14.17	10.63	9.84	3.54	3.54
BY104M	4400	2/1	35.04	32.28	10.43	14.17	10.63	9.84	11.42	3.54