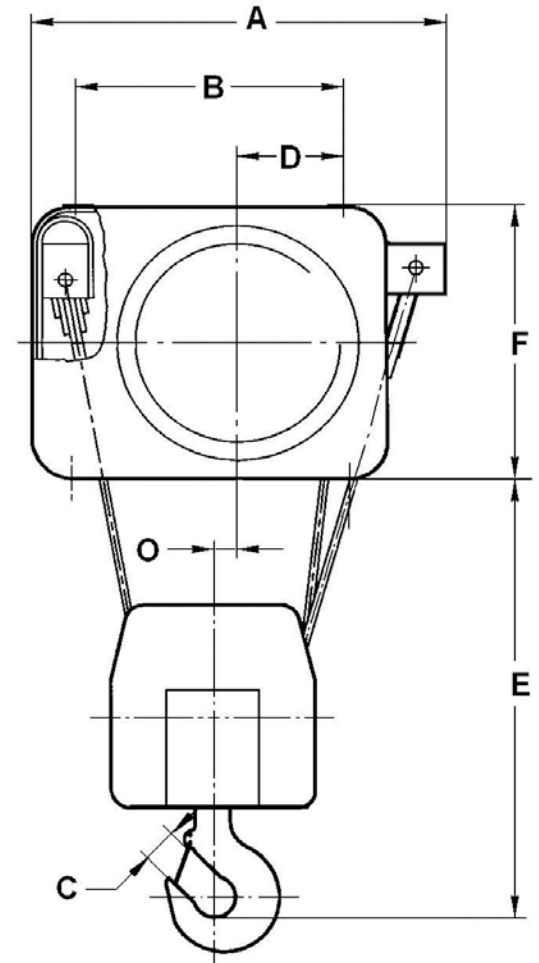
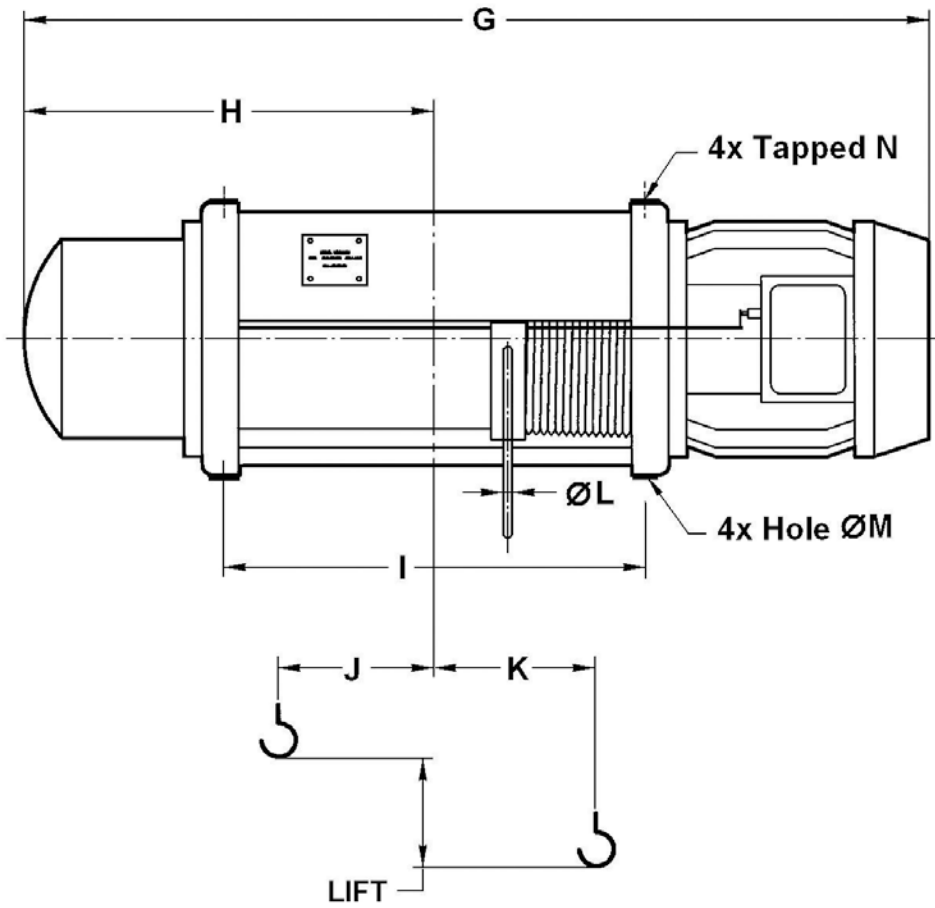


Electric Wire Rope Hoist Model MH55...\_4/1 reeving and MH01...\_2/1 reeving - Foot Mounted





Mizia Hoists Inc. 5151 Everest Drive Unit #4, Mississauga, ON, Canada L4W 2Z3  
 Phone: (905) 238 6401 Fax: (905) 238 6943 Email: mizia\_hoist@bellnet.ca www.miziahoist.com

### Overall Dimensions (inch) – 4/1 reeving

Model	Rated Load	Duty Group <sup>1</sup>	Lifting height	A	B	C	D	E	F	G	H	I	J	K	L	M	N	O
-	lbs	-	feet	inch														
MH 5543M	10,000	M5	20	19.34	12.79	1.96	5.01	20.66	14.37	43.11	18.50	17.36	2.56	0.98	0.39	0.66	M20	0.59
MH 5544M			31	19.34	12.79	1.96	5.01	20.66	14.37	50.98	22.44	25.23	6.50	-0.98	0.39	0.66	M20	0.59
MH 5545M			42	19.34	12.79	1.96	5.01	20.66	14.37	58.86	26.38	33.11	10.43	-2.95	0.39	0.66	M20	0.59
MH 5553M	14,000	M5	20	19.34	12.79	2.20	5.01	22.24	14.37	46.26	19.49	19.33	2.64	1.38	0.47	0.66	M20	0.59
MH 5554M			29	19.34	12.79	2.20	5.01	22.24	14.37	54.92	23.82	27.99	6.97	-0.79	0.47	0.66	M20	0.59
MH 5555M			39	19.34	12.79	2.20	5.01	22.24	14.37	63.58	28.15	36.65	11.30	-2.75	0.47	0.66	M20	0.59
MHL 5563M	22,000	M5	20	24.30	15.35	2.79	6.18	30.51	16.92	50.20	20.90	20.47	2.40	1.77	0.59	0.82	M24	0.55
MHL 5564M			30	24.30	15.35	2.79	6.18	30.51	16.92	58.46	25.04	28.74	6.53	-0.3	0.59	0.82	M24	0.55
MHL 5565M			39	24.30	15.35	2.79	6.18	30.51	16.92	66.73	29.17	37.00	10.67	-2.3	0.59	0.82	M24	0.55
MHL 5566M			49	24.30	15.35	2.79	6.18	30.51	16.92	75.00	33.31	45.27	14.80	-4.4	0.59	0.82	M24	0.55
MHL 556.53M	28,000	M4	20	24.30	15.35	2.79	6.18	30.51	16.92	50.20	20.90	20.47	2.40	1.77	0.59	0.82	-	0.55
MHL 556.54M			30	24.30	15.35	2.79	6.18	30.51	16.92	58.46	25.04	28.74	6.53	-0.3	0.59	0.82	-	0.55
MHL 556.55M			39	24.30	15.35	2.79	6.18	30.51	16.92	66.73	29.17	37.00	10.67	-2.3	0.59	0.82	-	0.55
MHL 556.56M			49	24.30	15.35	2.79	6.18	30.51	16.92	75.00	33.31	45.27	14.80	-4.4	0.59	0.82	-	0.55
MH 5574M	35,000	M5	27	29.70	18.70	3.54	7.34	32.48	20.86	58.86	26.57	28.07	4.02	1.81	0.70	0.98	M27	0.91
MH 5575M			37	29.70	18.70	3.54	7.34	32.48	20.86	67.32	30.91	36.53	8.27	-0.31	0.70	0.98	M27	0/91
MH 5576M			46	29.70	18.70	3.54	7.34	32.48	20.86	75.79	35.04	45.00	12.52	-2.44	0.70	1.22	-	0.91
MH 5584M	44,000	M5	27	29.70	18.70	3.54	7.34	32.48	20.86	61.89	29.61	28.07	4.02	1.81	0.70	1.22	-	0/91
MH 5585M			36	29.70	18.70	3.54	7.34	32.48	20.86	70.35	33.94	36.54	8.27	-0.31	0.70	1.22	-	0.91
MH 5594M	55,000	M4	27	29.70	18.70	3.54	7.34	32.48	20.86	61.89	29.61	28.07	4.02	1.81	0.70	1.22	-	0/91
MH 5595M			36	29.70	18.70	3.54	7.34	32.48	20.86	70.35	33.94	36.54	8.27	-0.31	0.70	1.22	-	0.91



Mizia Hoists Inc. 5151 Everest Drive Unit #4, Mississauga, ON, Canada L4W 2Z3  
 Phone: (905) 238 6401 Fax: (905) 238 6943 Email: mizia\_hoist@bellnet.ca www.miziahoist.com

### Overall Dimensions (inch) – 2/1 reeving

Model	Rated Load	Duty Group <sup>1</sup>	Lifting height	A	B	C	D	E	F	G	H	I	J	K	L	M	N	O
-	lbs	-	feet	inch														
MH 0143M	5,000	M5	40	16.18	12.79	1.57	5.01	21.65	14.37	43.11	18.50	17.36	4.21	2.91	0.39	0.66	M20	1.38
MH 0144M			62	16.18	12.79	1.57	5.01	21.65	14.37	50.98	22.44	25.23	8.15	2.91	0.39	0.66	M20	1.38
MH 0145M			85	16.18	12.79	1.57	5.01	21.65	14.37	58.86	26.38	33.11	12.09	2.91	0.39	0.66	M20	1.38
MH 0153M	7,000	M5	39	16.18	12.79	1.77	5.01	24.41	14.37	46.26	19.49	19.33	4.91	3.74	0.47	0.66	M20	1.38
MH 0154M			59	16.18	12.79	1.77	5.01	24.41	14.37	54.92	23.82	27.99	9.25	3.74	0.47	0.66	M20	1.38
MH 0155M			80	16.18	12.79	1.77	5.01	24.41	14.37	63.58	28.15	36.65	13.58	3.74	0.47	0.66	M20	1.38
MHL 0163M	11,000	M5	40	20.75	15.35	1.97	6.18	27.95	16.92	50.20	20.90	20.47	5.43	2.87	0.59	0.82	M24	1.50
MHL 0164M			60	20.75	15.35	1.97	6.18	27.95	16.92	58.46	25.04	28.74	9.57	2.87	0.59	0.82	M24	1.50
MHL 0165M			79	20.75	15.35	1.97	6.18	27.95	16.92	66.73	29.17	37.00	13.70	2.87	0.59	0.82	M24	1.50
MHL 0166M			98	20.75	15.35	1.97	6.18	27.95	16.92	75.00	33.31	45.27	17.79	2.87	0.59	0.82	M24	1.50
MHL 016.53M	14,000	M4	40	20.75	15.35	2.20	6.18	33.07	16.92	50.20	20.90	20.47	5.43	2.87	0.59	0.82	-	1.50
MHL 016.54M			60	20.75	15.35	2.20	6.18	33.07	16.92	58.46	25.04	28.74	9.57	2.87	0.59	0.82	-	1.50
MHL 016.55M			79	20.75	15.35	2.20	6.18	33.07	16.92	66.73	29.17	37.00	13.70	2.87	0.59	0.82	-	1.50
MHL 016.56M			98	20.75	15.35	2.20	6.18	33.07	16.92	75.00	33.31	45.27	17.79	2.87	0.59	0.82	-	1.50
MH 0174M	17,500	M5	54	25.75	18.70	2.20	7.34	33.07	20.86	58.86	26.57	28.07	7.56	4.09	0.70	0.98	M27	2.17
MH 0175M			74	25.75	18.70	2.20	7.34	33.07	20.86	67.32	30.91	36.53	11.81	4.09	0.70	0.98	M27	2.17
MH 0176M			93	25.75	18.70	2.20	7.34	33.07	20.86	75.79	35.04	45.00	16.06	4.09	0.70	0.98	M27	2.17

All dimensions are subject to change without notice. If clearances are critical ask for a certified drawing.

<sup>1</sup> – According to ISO 4301