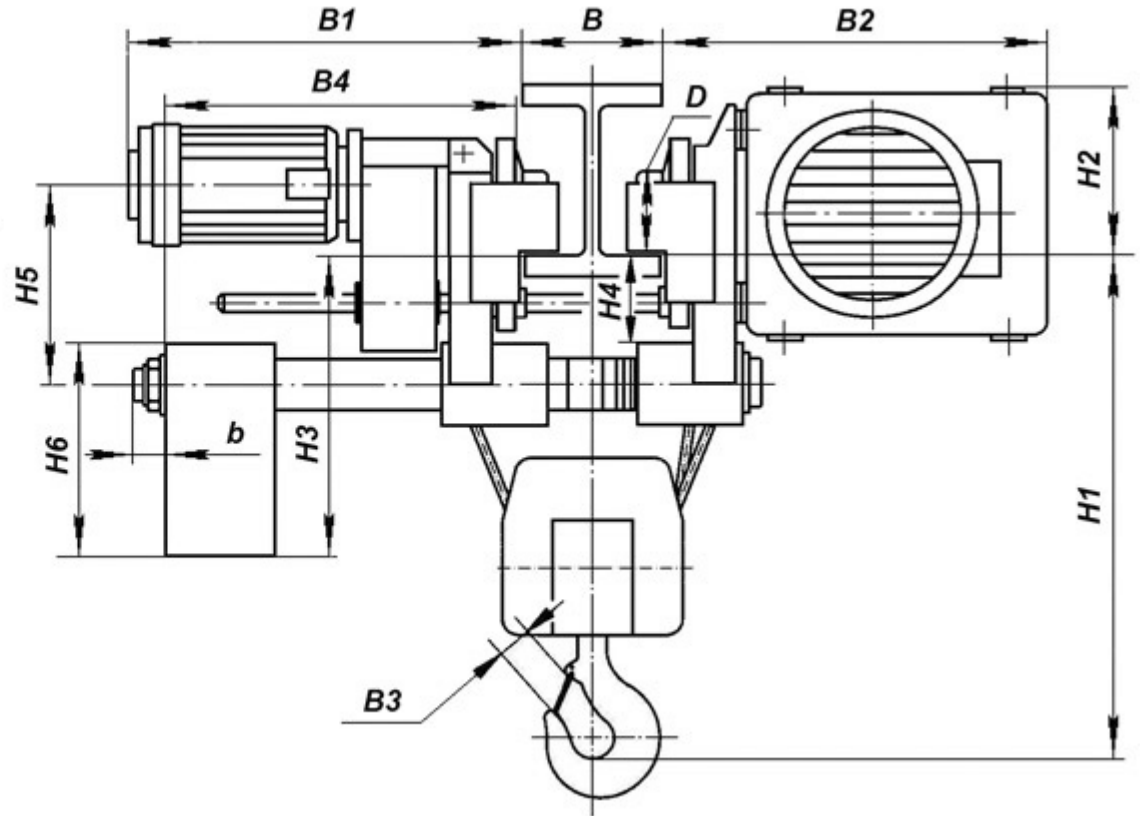
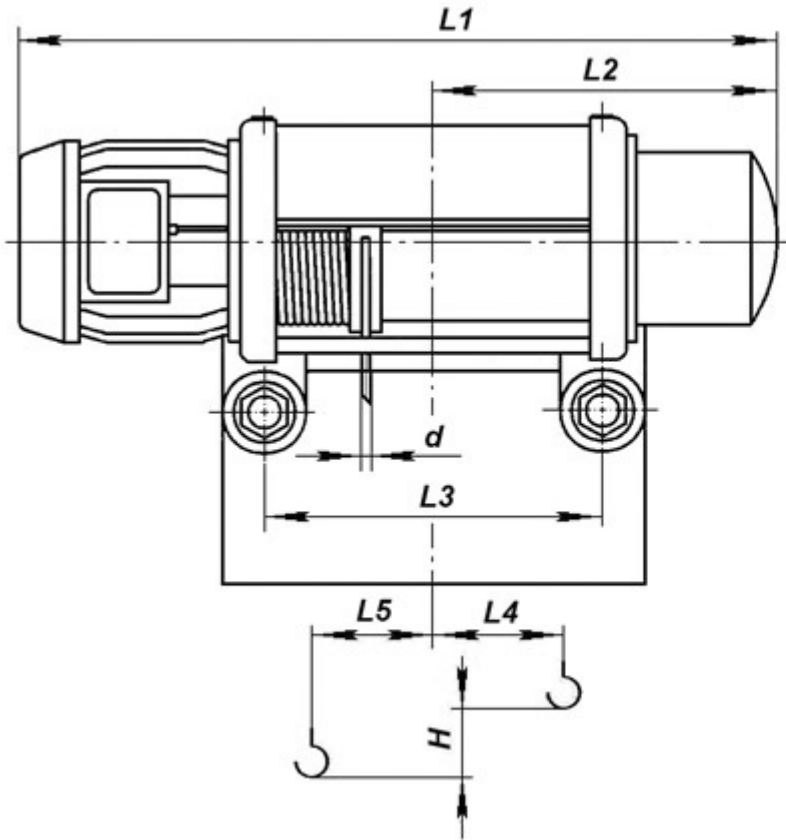




Mizia Hoists Inc. 5151 Everest Drive Unit #4, Mississauga, ON, Canada L4W 2Z3
Phone: (905) 238 6401 Fax: (905) 238 6943 Email: mizia_hoist@bellnet.ca www.miziahoist.com

Electric Wire Rope Hoist Model MH78... - 4/1 reeving and MH45... - 2/1 reeving – Low Headroom





Mizia Hoists Inc. 5151 Everest Drive Unit #4, Mississauga, ON, Canada L4W 2Z3
 Phone: (905) 238 6401 Fax: (905) 238 6943 Email: mizia_hoist@bellnet.ca www.miziahoist.com

Overall Dimensions (mm)
4/1 reeving

Model	Capacity	Duty Group 1	Lifting height	L1	L2	L3	L4	L5	B *	B1	B2	B3	B4	H1	H2	H3	H4	H5	H6	D	b	d
-	kg		m	mm																		
MH 7833...M	2,000	2m	6.5	965	420	429	45.5	41	100...330	500	460	40	685...460	615	164	440	35	233	310	100	40	7
MH 7834...M			10.0	1165	520	629	145	-9														
MH 7835...M			13.5	1365	620	829	246	-59														
MH 783.23...M	3,200	1Am	6.5	965	420	429	45.5	41	100...330	500	470	45	710...485	625	164	440	35	233	310	100	40	7
MH 783.24...M			10.0	1165	520	629	145	-9														
MH 783.25...M			13.5	1365	620	829	246	-59														
MH 7843...M	4,500	2m	6.0	1095	470	441	29	54	120...330	515	515	50	655...450	660	200	463	36	240	310	125	60	10
MH 7844...M			9.0	1295	570	641	129	4														
MH 7845...M			13.0	1495	670	841	229	-46														
MH 7853...M	6,350	2m	6.0	1175	495	491	25	67	130...330	525	530	56	640...440	700	200	480	38	255	310	160	60	12
MH 7854...M			9.0	1395	605	711	135	12														
MH 7855...M			12.0	1615	715	931	245	-42														
MHL 7863...M	10,000	2m	6.0	1275	531	520	-2	97	130...360	550	640	71	720...490	830	225	510	62	286	310	200	60	15
MHL 7864...M			9.0	1485	636	730	103	45														
MHL 7865...M			12.0	1695	741	940	208	-8														
MHL 7866...M			15.0	1905	846	1150	313	-60														
MHL 786.53...M	12,500	2m	6.0	1275	531	520	-2	97	130...360	550	640	71	720...490	830	225	510	62	286	310	200	60	15
MHL 786.54...M			9.0	1485	636	730	103	45														
MHL 786.55...M			12.0	1695	741	940	208	-8														
MHL 786.56...M			15.0	1905	846	1150	313	-60														
MH7874...M	16,000	2m	8.5	1495	675	713	38	100	170...420	575	775	71	900...730	960	305	540	70	308	365	250	60	18
MH7875...M			11.0	1710	785	928	128	62														
MH7876...M			14.0	1925	890	1143	236	8														



Mizia Hoists Inc. 5151 Everest Drive Unit #4, Mississauga, ON, Canada L4W 2Z3
 Phone: (905) 238 6401 Fax: (905) 238 6943 Email: mizia_hoist@bellnet.ca www.miziahoist.com

Overall Dimensions (mm)
2/1 reeving

Model	Capacity	Duty Group ₁	Lifting height	L1	L2	L3	L4	L5	B *	B1	B2	B3	B4	H1	H2	H3	H4	H5	H6	D	b	d
-	kg		m	mm																		
MH4533...M	1,000	2m	13.0	965	420	429	100	87	100...330	500	460	34	500	615	164	440	35	233	310	100	27	7
MH4534...M			20.0	1165	520	629	200															
MH4535...M			27.0	1365	620	829	300															
MH 4543...M	2,250	2m	12.0	1095	470	441	110	79	120...330	515	515	40	485	660	204	463	36	240	310	125	27	10
MH 4544...M			18.0	1295	570	641	175	114														
MH 4545...M			25.0	1495	670	841	275															
MH 4553...M	3,200	2m	11.5	1175	495	491	142	67	130...330	525	530	45	485	700	200	480	38	255	310	160	32	12
MH 4554...M			17.0	1395	605	711	162	157														
MH 4555...M			23.0	1615	715	931	275															
MHL 4563...M	5,000	2m	12.0	1275	531	520	70	38	130...360	550	640	50	490	830	225	510	62	286	310	200	32	15
MHL 4564...M			18.0	1485	636	730	175															
MHL 4565...M			24.0	1695	741	940	280	141														
MHL 4566...M			30.0	1905	846	1150	384															
MHL 456.53...M	6,300	2m	12.0	1275	531	520	70	38	130...360	550	640	50	490	830	225	510	62	286	310	200	32	15
MHL 456.54...M			18.0	1485	636	730	175															
MHL 456.55...M			24.0	1695	741	940	280	141														
MHL 456.56...M			30.0	1905	846	1150	384															
MH4574...M	8,000	2m	17.0	1495	675	713	167	118	170...420	575	775	56	665	960	305	540	70	308	365	250	35	18
MH4575...M			22.0	1710	785	928	248															
MH4576...M			28.0	1925	890	1143	382															

All dimensions are subject to change without notice. If clearances are critical ask for a certified drawing.

¹ – According to DIN 15020 / FEM 9.511

* - Additional options available